

Construction

Axial fan designed for installation in a ducted system. Casing of rolled and electro-welded steel sheet, powder coated RAL9005. Impeller in polypropylene (max. temp. 60°C). Casing in acid-proof steel or galvanized steel and impellers in fiberglass reinforced polyamide (max. temp. 110°C), in die-cast aluminium (max. temp. 150°C) or steel sheet may be supplied on request.

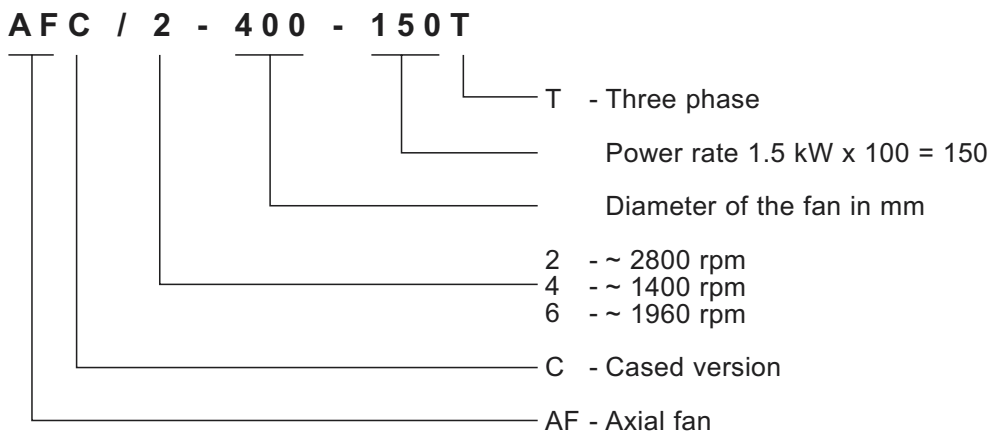
Motor

220-240/380-420V, 50 Hz (380-420/660-690V over 3kW) three-phase or 220-240V, 50Hz single-phase asynchronous motor with squirrel cage rotor, in accordance with IEC72 and IEC34-1. Insulation class F, enclosure IP55. Special voltage or frequency, improved enclosure IP65, explosion proof motor may be supplied on request. Wiring diagram, see page 179.

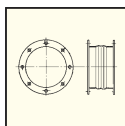
AFC MOBILE REV



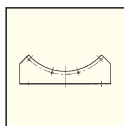
Model numbering system



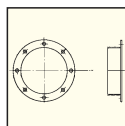
Accessories



Sleeve AFC page 59



AFC page 59



Sleeve coupling AFC page 59



Protection net AFC page 59



PER-CN page 58

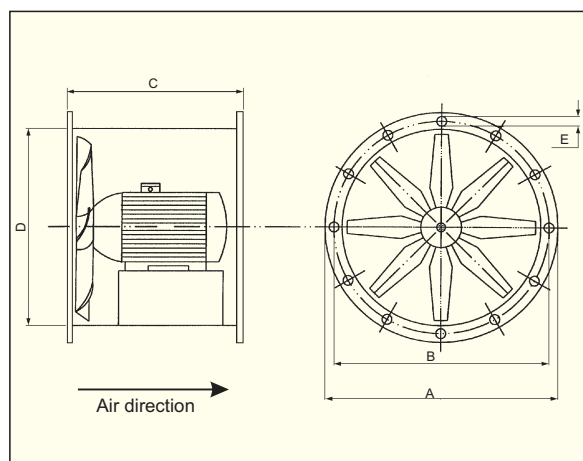
Technical specification

Type	Speed rpm	Voltage V	Motor power kW	Maximum current A	Sound level* dB (A)	Maximum duty m³/h	Weight kg	Article number
AFC/2-250-025S	2850	230V	0,25	1,8	72	2250	15	213 912 250
AFC/2-315-037S	2860	230V	0,37	2,5	74	3400	17	213 912 315
AFC/2-355-055S	2860	230V	0,55	3,4	77	4500	30	213 912 355
AFC/2-250-025T	2760	400V	0,25	0,65	72	2250	15	213 911 250
AFC/2-250-037T	2800	400V	0,37	1,0	72	2600	15	213 911 253
AFC/2-315-037T	2800	400V	0,37	1,0	74	3400	17	213 911 315
AFC/2-315-075T	2800	400V	0,75	1,9	77	5000	20	213 911 317
AFC/2-355-055T	2790	400V	0,55	1,35	77	4500	30	213 911 355
AFC/2-355-110T	2780	400V	1,1	2,5	78	5700	35	213 911 356
AFC/2-400-150	2800	400V	1,5	3,4	80	7800	37	213 911 400
AFC/2-450-220	2800	400V	2,2	4,7	81	9500	57	213 911 450
AFC/2-450-300	2800	400V	3,0	6,5	81	12000	57	213 911 453
AFC/2-500-300	2800	400V	3,0	6,5	81	15000	60	213 911 500
AFC/4-560-150	1440	400V	1,5	4,3	82	14000	65	213 911 560
AFC/4-630-220	1420	400V	2,2	4,8	82	18200	75	213 911 630
AFC/4-710-400	1440	400V	4,0	8,1	83	25500	80	213 911 710
AFC/4-800-400	1440	400V	4,0	8,1	83	30000	85	213 911 800
AFC/4-900-400	1440	400V	4,0	8,1	83	32500	90	213 911 900
AFC/4-900P-750	1440	400V	7,5	14,4	83	43500	108	213 911 905
AFC/4-1000-1100	1440	400V	11,0	21,2	83	55000	160	213 911 910
AFC/6-1250-1100	960	400V	11,0	22,2	84	75000	230	213 911 912
AFC/6-1500-1100	960	400V	11,0	22,2	85	80000	350	213 911 915
AFC/8-2000-1100	700	400V	11,0	25,1	88	120000	500	213 911 920

* - distance 3 m

Dimensions in mm

Type	A	B	C	D	E	Number of holes
AFC/2-250-037	310	280	300	250	8	8
AFC/2-315-110	375	345	330	315	8	8
AFC/2-355-110	426	395	380	355	10	8
AFC/2-400-150	500	450	380	400	10	8
AFC/2-450-□	550	500	430	450	10	8
AFC/2-500-300	600	550	450	500	12	12
AFC/4-560-150	660	610	450	560	12	12
AFC/4-630-220	736	690	500	630	12	12
AFC/4-710-400	810	760	470	710	12	12
AFC/4-800-400	900	850	480	800	12	12
AFC/4-900-400	1000	950	490	900	12	12
AFC/4-900P-750	1000	950	570	900	12	12
AFC/4-1000-1100	1100	1050	730	1000	12	12
AFC/6-1250-1100	1350	1310	750	1250	12	16
AFC/6-1500-1100	1700	1600	750	1500	16	24
AFC/8-2000-1100	2200	2100	1010	2000	16	24



Assembly instructions

