

### Construction

Double inlet centrifugal fan. Forward curved impellers manufactured in galvanized steel sheet. Casing in galvanized steel sheet with easy dismountable motor brackets.

### Motor

220–240V, 50Hz single-phase asynchronous motor with capacitor, resp. 220–240/380–420V, 50Hz three-phase asynchronous motor. Enclosure IP10, insulation class B, built-in thermal overload protection. Special voltage or frequency, insulation class and enclosure may be supplied on request.



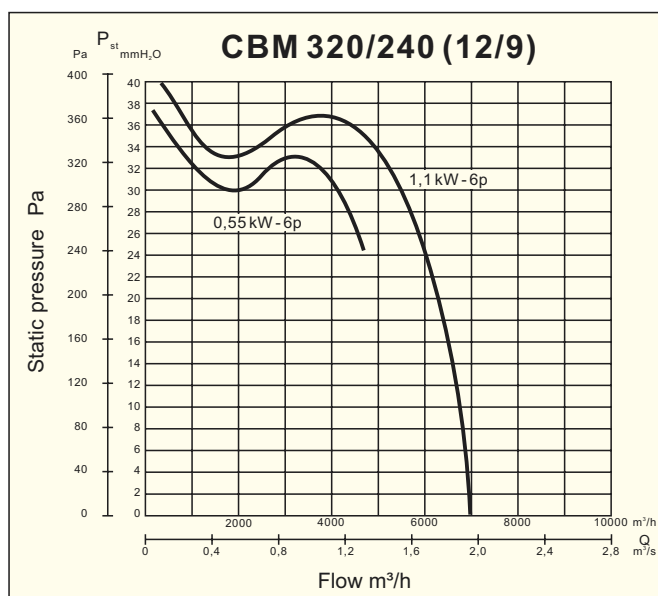
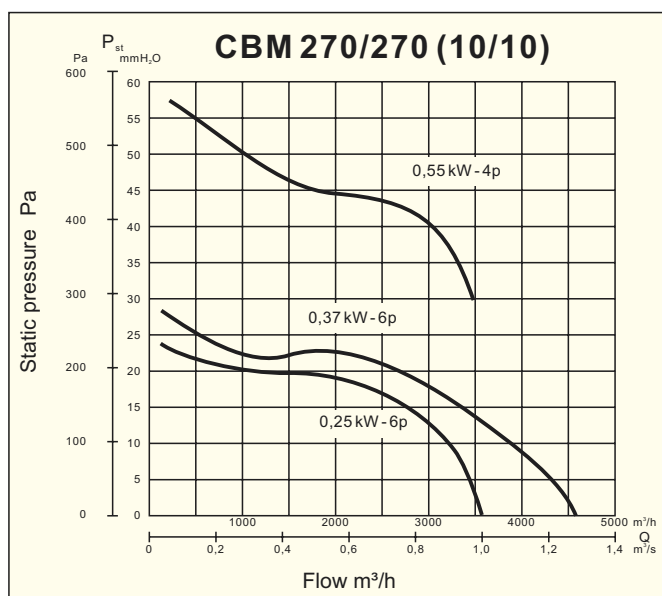
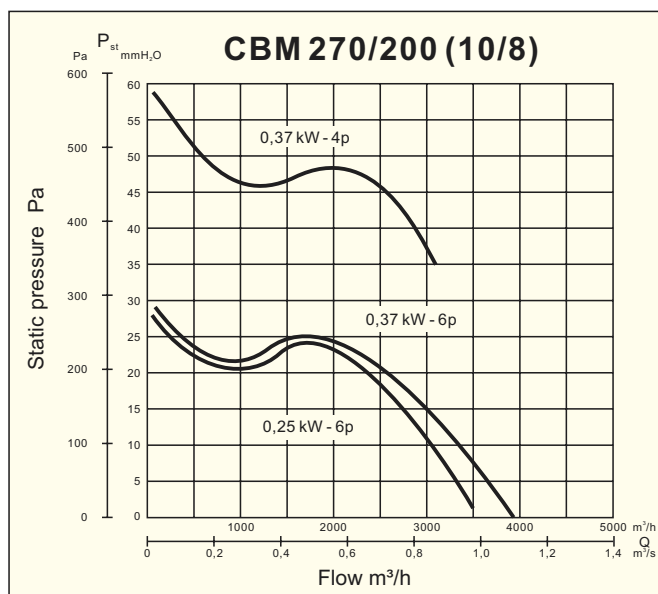
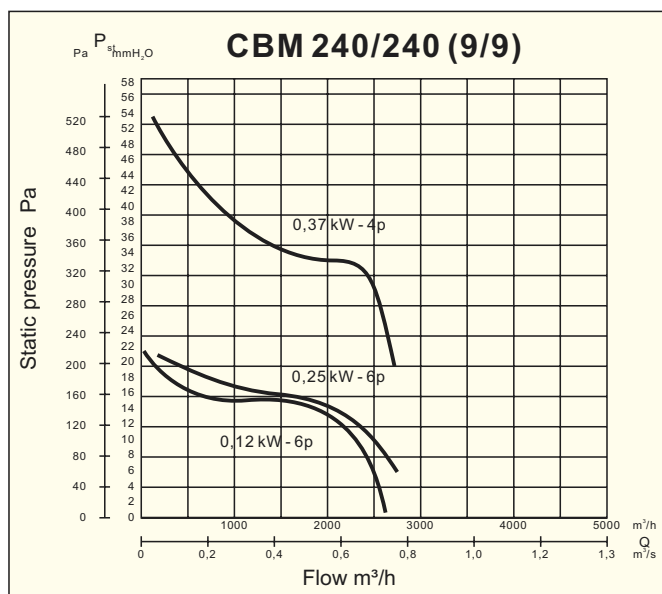
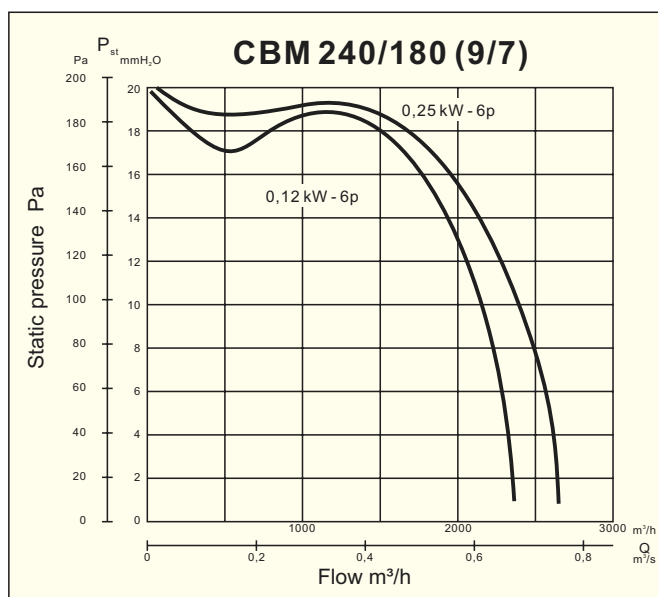
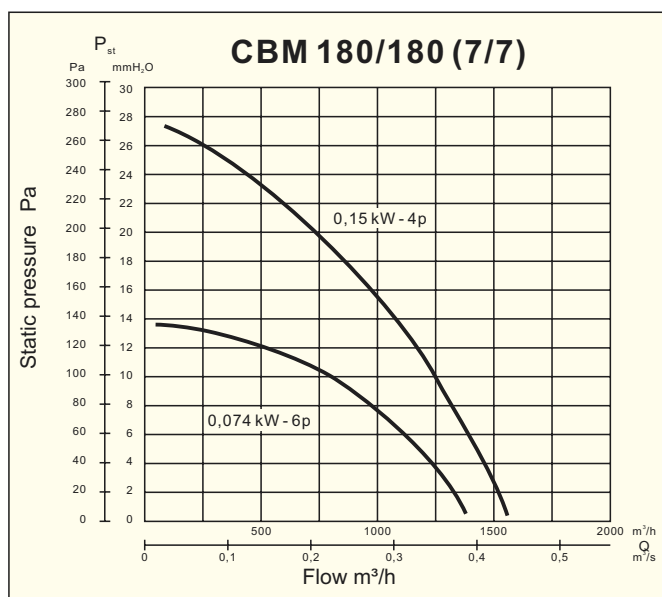
### Technical specification

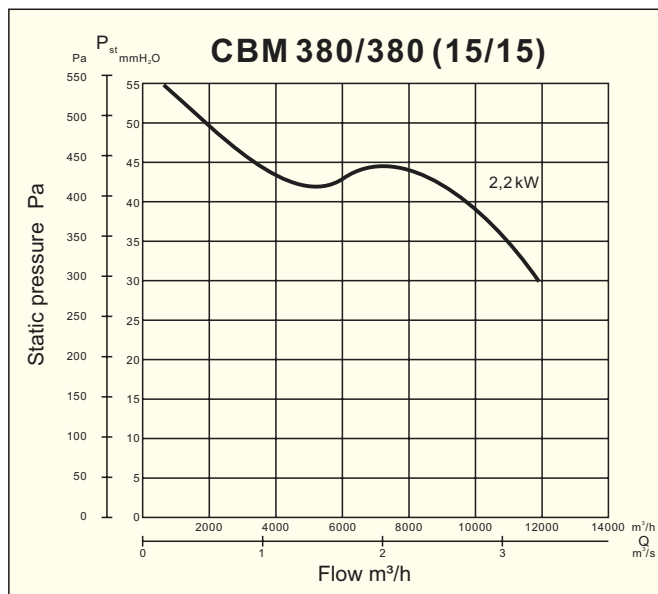
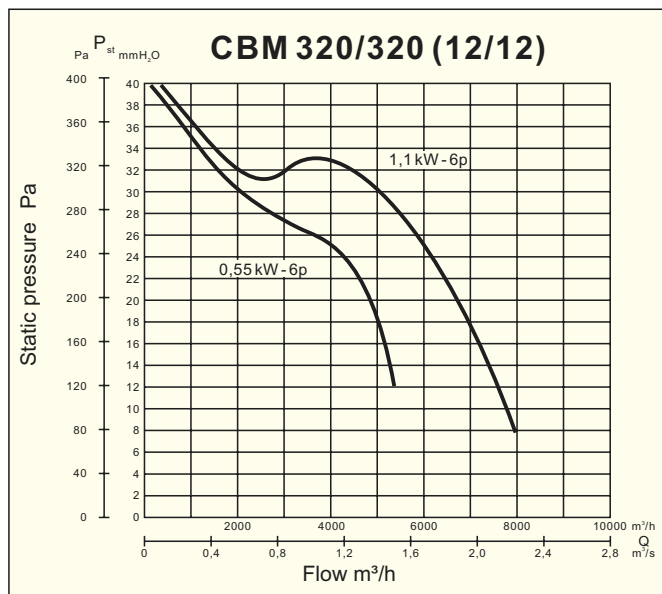
| Type        | Speed<br>rpm | Motor power<br>kW | Maximum<br>current<br>A | Voltage<br>V | Maximum<br>duty<br>m <sup>3</sup> /h | Sound level<br>dB (A) | Weight<br>kg | Article number |
|-------------|--------------|-------------------|-------------------------|--------------|--------------------------------------|-----------------------|--------------|----------------|
| CBM-180/180 | 960          | 0,074             | 1,0                     | 230          | 1400                                 | 56                    | 9            | 112 500 111    |
|             | 1550         | 0,15              | 1,5                     | 230          | 1565                                 | 59                    | 10           | 112 500 151    |
| CBM-240/180 | 900          | 0,12              | 2,1                     | 230          | 2430                                 | 63                    | 15           | 112 500 201    |
|             | 920          | 0,25              | 2,5                     | 230          | 2680                                 | 65                    | 16           | 112 500 251    |
| CBM-240/240 | 850          | 0,12              | 2,1                     | 230          | 2500                                 | 61                    | 16           | 112 500 301    |
|             | 900          | 0,25              | 2,75                    | 230          | 2900                                 | 63                    | 17           | 112 500 351    |
|             | 1550         | 0,37              | 3,8                     | 230          | 2650                                 | 65                    | 19           | 112 500 011    |
| CBM-270/200 | 900          | 0,25              | 3,0                     | 230          | 3480                                 | 65                    | 18           | 112 500 401    |
|             | 970          | 0,37              | 4,0                     | 230          | 4000                                 | 68                    | 19           | 112 500 051    |
|             | 1300         | 0,37              | 5,0                     | 230          | 3150                                 | 66                    | 21           | 112 500 451    |
| CBM-270/270 | 900          | 0,25              | 3,0                     | 230          | 3550                                 | 63                    | 20           | 112 500 501    |
|             | 900          | 0,37              | 4,0                     | 230          | 4500                                 | 67                    | 21           | 112 500 551    |
|             | 1400         | 0,55              | 5,9                     | 230          | 3540                                 | 66                    | 23           | 112 500 601    |
| CBM-320/240 | 900          | 0,55              | 5,8                     | 230          | 4700                                 | 67                    | 28           | 112 500 651    |
|             | 900          | 1,10              | 4,2                     | 400          | 7000                                 | 75                    | 28           | 112 500 701    |
| CBM-320/320 | 900          | 0,55              | 5,8                     | 230          | 5250                                 | 66                    | 30           | 112 500 751    |
|             | 900          | 1,10              | 4,0                     | 400          | 7900                                 | 78                    | 30           | 112 500 801    |
| CBM-380/380 | 920          | 2,20              | 8,0                     | 400          | 11900                                | 76                    | 45           | 112 500 811    |

### Accessories

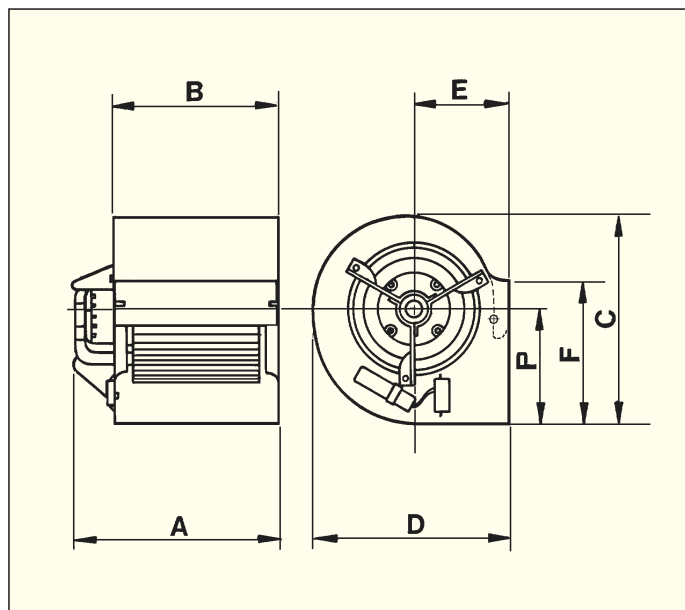


Mounting base

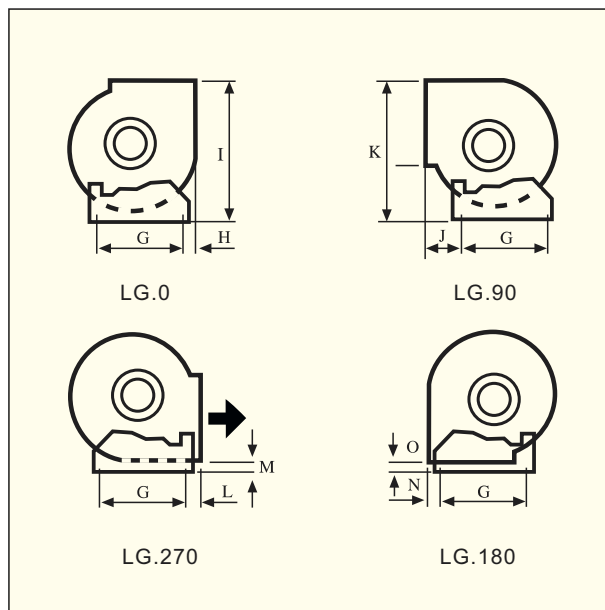




Dimensions in mm



Handing positions



| Type        | A   | B   | C   | D   | E   | F   | G   | H  | I   | J  | K   | L  | M  | N  | O | P   |
|-------------|-----|-----|-----|-----|-----|-----|-----|----|-----|----|-----|----|----|----|---|-----|
| CBM-180/180 | 269 | 233 | 328 | 309 | 145 | 210 | 225 | 49 | 314 | 57 | 333 | 28 | 15 | 10 | 6 | 188 |
| CBM-240/180 | 289 | 234 | 393 | 381 | 183 | 256 | 298 | 33 | 383 | 67 | 393 | 67 | 40 | 33 | 7 | 217 |
| CBM-240/240 | 345 | 300 | 393 | 381 | 183 | 256 | 298 | 33 | 383 | 67 | 393 | 67 | 40 | 33 | 7 | 217 |
| CBM-270/200 | 344 | 265 | 440 | 421 | 202 | 288 | 339 | 40 | 424 | 67 | 444 | 67 | 38 | 40 | 7 | 246 |
| CBM-270/270 | 379 | 334 | 440 | 421 | 202 | 288 | 339 | 40 | 424 | 67 | 444 | 67 | 38 | 40 | 7 | 246 |
| CBM-320/240 | 389 | 309 | 515 | 490 | 230 | 343 | 407 | 52 | 489 | 55 | 517 | 55 | 35 | 52 | 9 | 289 |
| CBM-320/320 | 433 | 395 | 515 | 490 | 230 | 343 | 407 | 52 | 489 | 55 | 517 | 55 | 35 | 52 | 9 | 289 |
| CBM-380/380 | 630 | 471 | 625 | 580 | 264 | 404 | -   | -  | -   | -  | -   | -  | -  | -  | - | 347 |