

Construction

Single inlet direct driven centrifugal fan with spiral formed casing of steel sheet, powder coated RAL5010.

Impeller with forward curved blades (type F) in galvanized steel sheet. V-belt driven fans can be supplied on request.

Motor

220-240/380-420V, 50Hz (380-420/660-690V over 3kW) three-phase or 220-240V, 50Hz single-phase asynchronous motor with capacitor. Enclosure IP55, insulation class F. Special voltage or frequency, insulation class, enclosure IP65, 2-speed motors and explosion proof motors may be supplied on request.

Wiring diagram, see page 179.



Accessories

Wire guards, inlet and outlet fittings.

Technical specification

Type	Motor power	Voltage	Maximum current	Maximum duty	Pressure (max)	Sound level*	Weight	Article number
	kW	V	A	m ³ /h	Pa	dB(A)	kg	
GSF-2-108/42-005T	0.05	230/400	0.37/0.21	280	340	62	3	113 340 900
GSF-2-108/42-003S	0.03	230	0.40	280	340	62	4	113 340 910
GSF-2-133/62-009T	0.09	230/400	0.53/0.30	490	470	71	4	113 340 950
GSF-2-140/62-025T	0.25	230/400	1.27/0.65	690	530	72	6	113 350 001
GSF-2-140/62-025S	0.25	230	2.20	690	530	72	7	113 350 051
GSF-2-146/62-037T	0.37	230/400	1.80/1.05	730	580	74	7	113 350 151
GSF-2-146/62-037S	0.37	230	2.9	730	580	74	8	113 350 171
GSF-2-160/75-055T	0.55	230/400	2.35/1.35	1250	710	76	8	113 350 201
GSF-2-160/75-055S	0.55	230	4.0	1250	710	76	10	113 350 251
GSF-2-180/85-055T	0.55	230/400	2.35/1.35	1050	870	78	8	113 350 271
GSF-2-180/85-055S	0.55	230	4.0	1050	870	78	10	113 350 281
GSF-2-180/85-075T	0.75	230/400	3.30/1.9	1400	870	78	9	113 350 301
GSF-2-180/85-075S	0.75	230	5.2	1400	870	78	11	113 350 311
GSF-6-450/203-400T	4.00	400/690	9.00/5.20	9500	750	80	105	113 351 551
GSF-6-450/203-550T	5.50	400/690	12.0/6.95	11700	750	80	115	113 351 552

* - in the middle of the performance curve.

Accessories

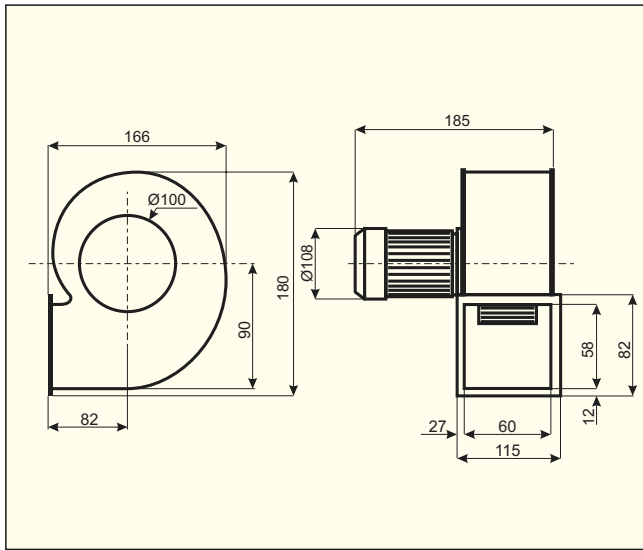


Protection guard outlet

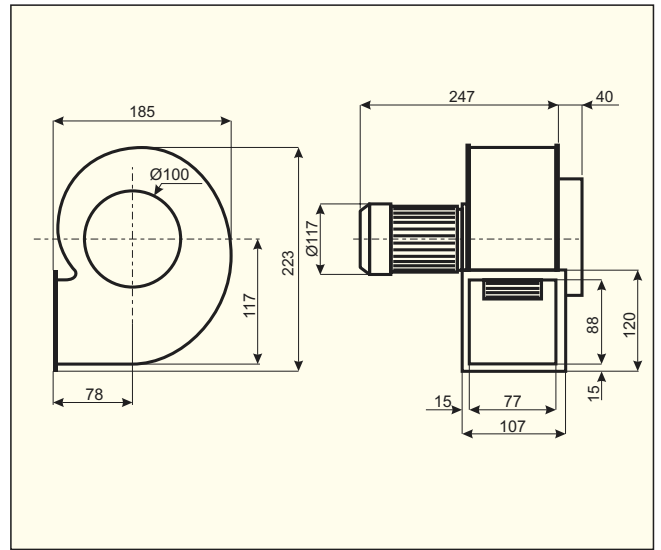


Connector outlet

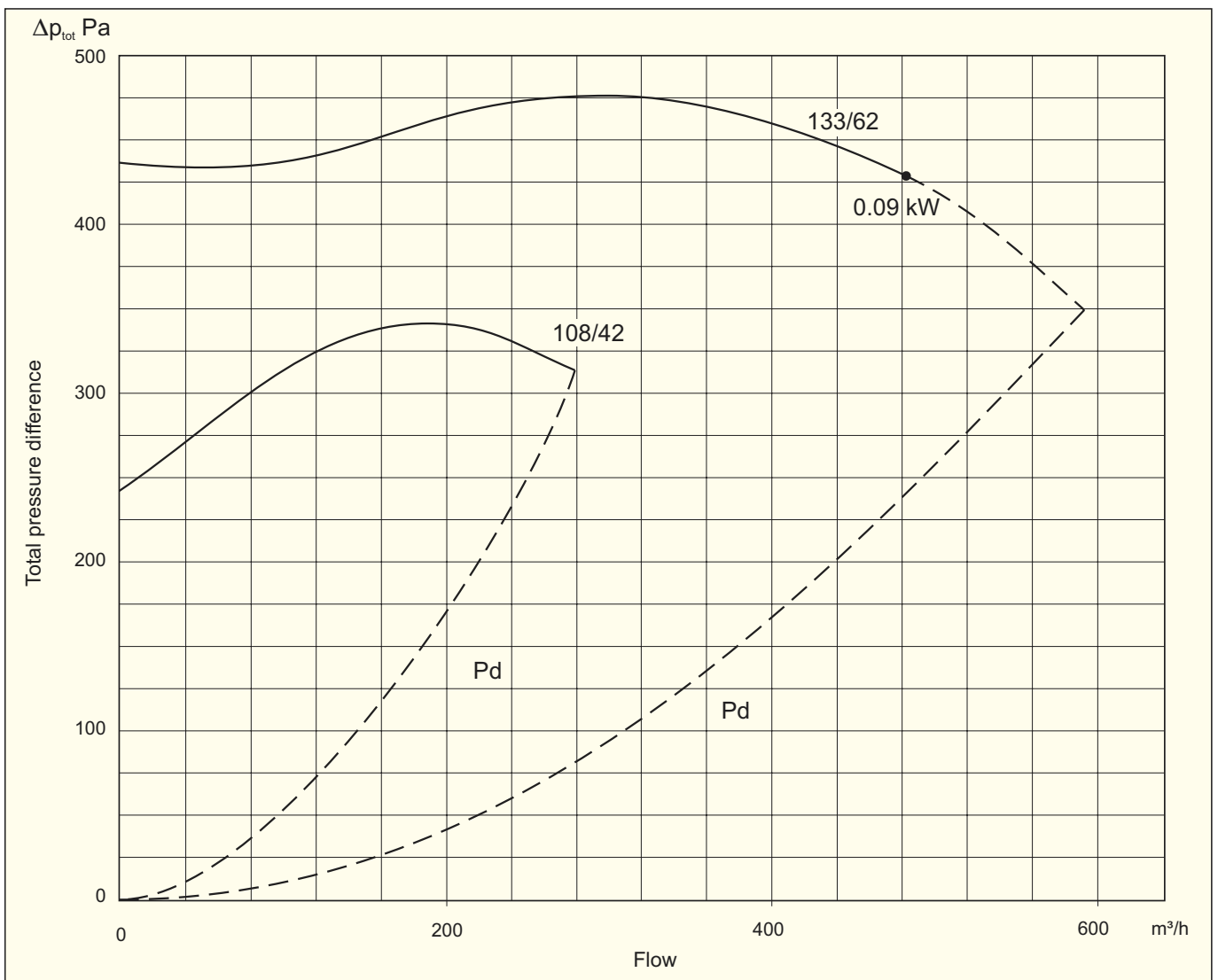
GSF-2-108/42



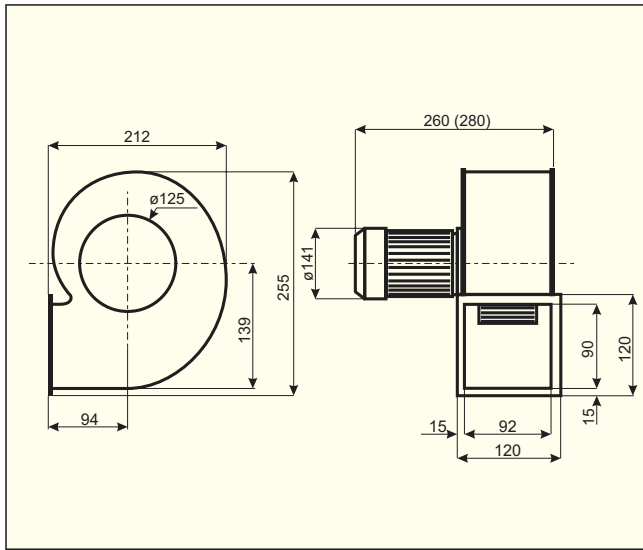
GSF-2-133/62-009T



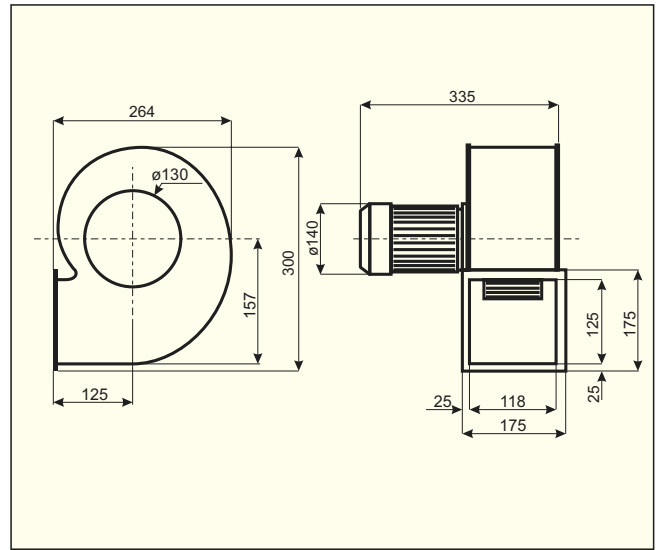
GSF-2



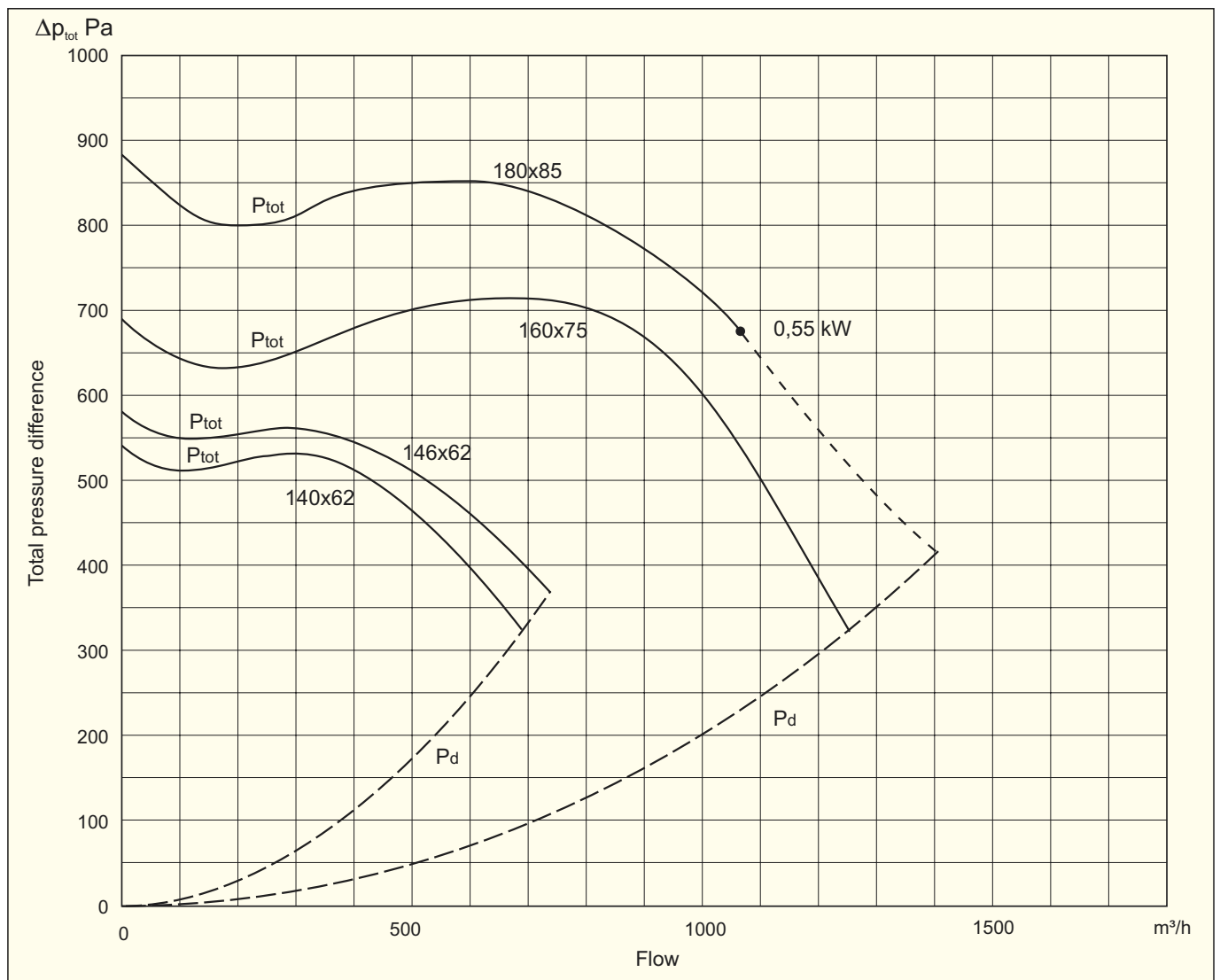
GSF-2-140/62-025T/S
GSF-2-146/62-037T/S ()



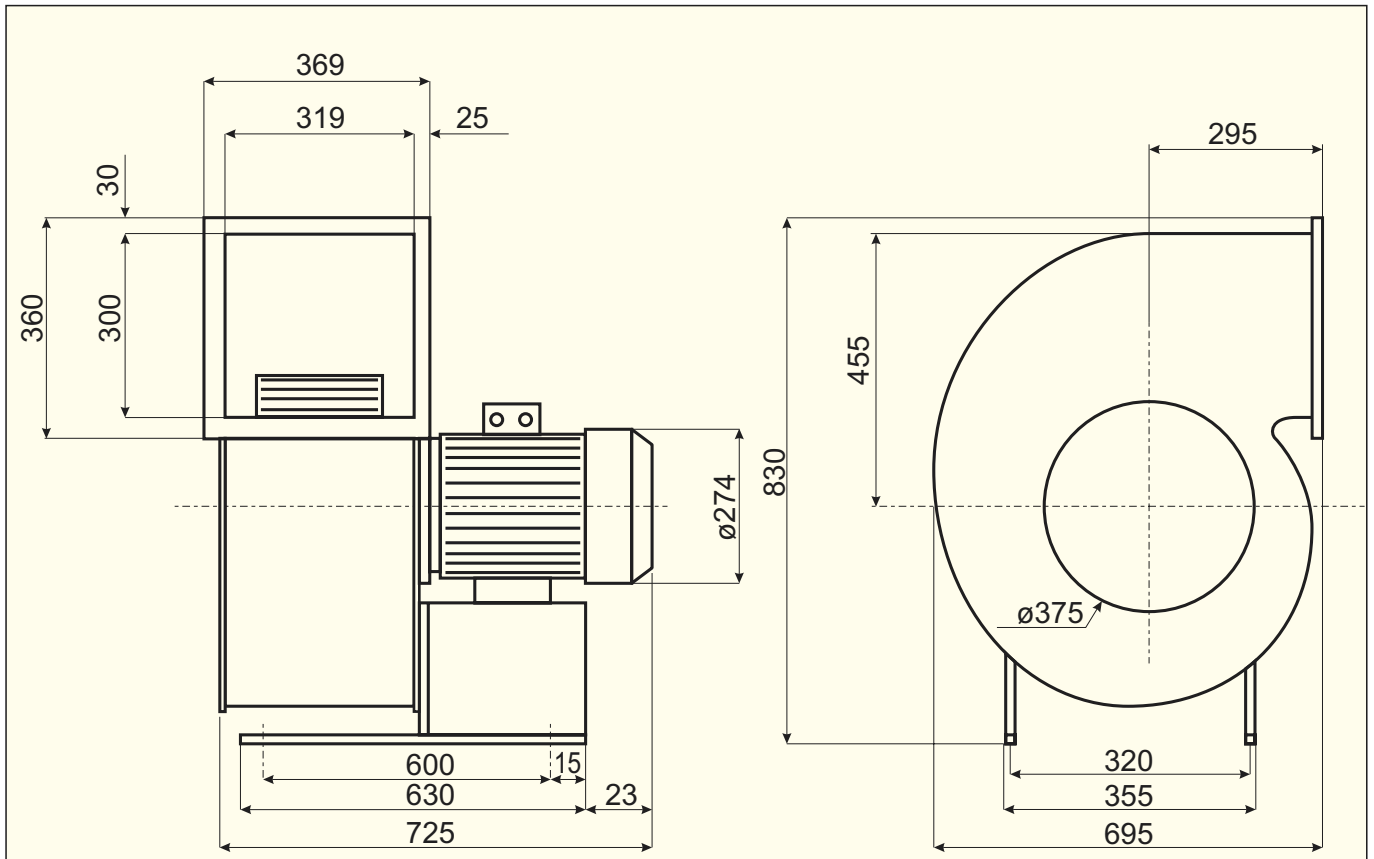
GSF-2-160/75-055T/S GSF-2-180/85



GSF-2



GSF-6-450/203



GSF-6-450/203-550T

