

Construction

Single inlet direct driven centrifugal fan with spiral formed casing in steel sheet, welded and powder coated RAL9002. Impeller with backward curved blades in steel sheet. Casing and impeller in other materials for example stainless steel or galvanized steel sheet may be supplied on request.

Motor

220-240/380-420V, 50Hz (380-420/660-690V over 3kW) three-phase or 220-240V, 50Hz single-phase asynchronous motor with squirrel cage rotor. Insulation class F, enclosure IP55. Special voltage or frequency, improved enclosure IP65, 2-speed motors and explosion proof motors can be supplied on request. Wiring diagram, see page 179.

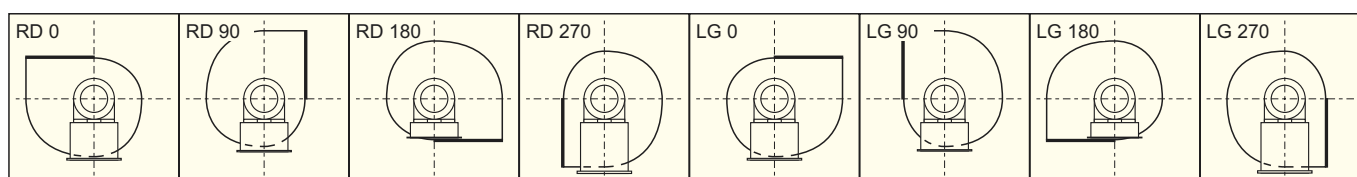
Accessories

Inlet and outlet fittings, wire guards, dampers, etc.

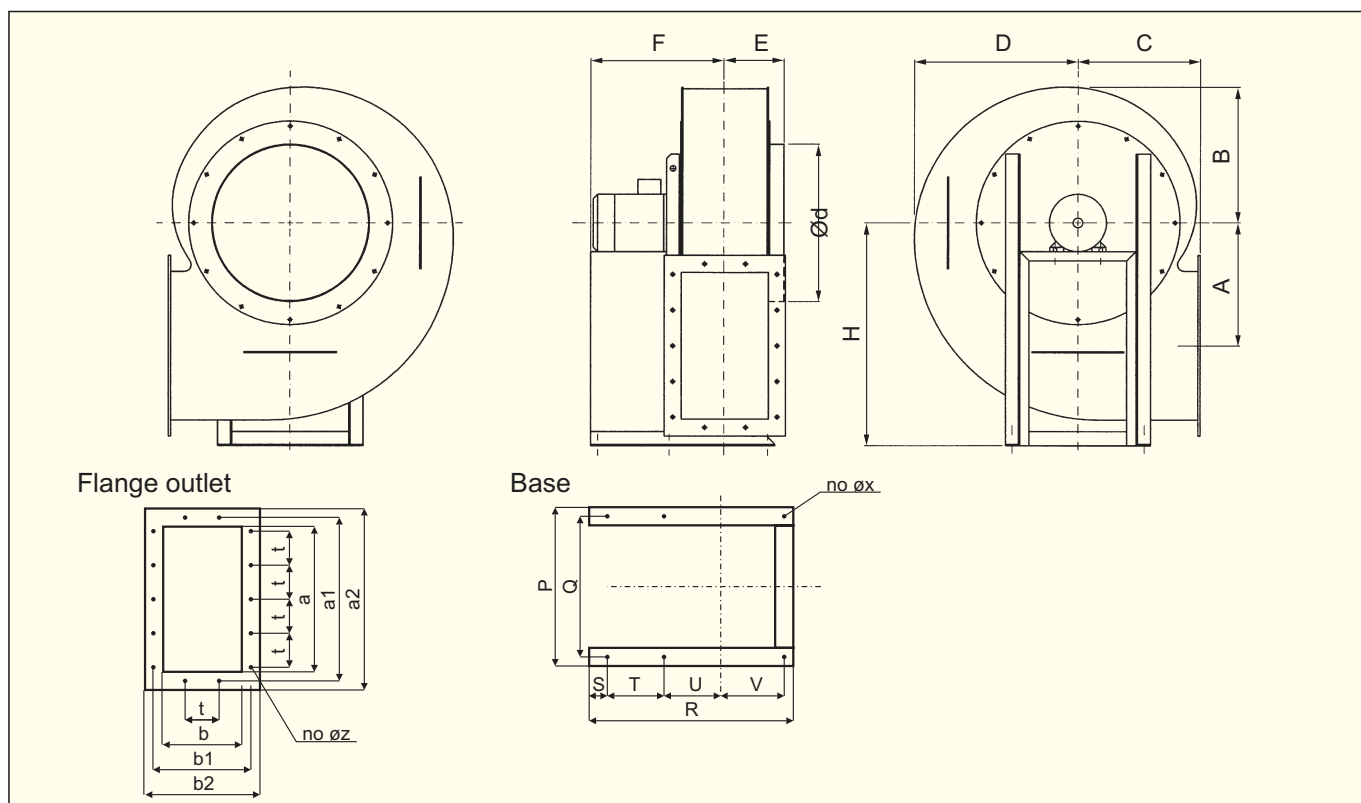
Technical specification

Type	Speed rpm	Motor power kW	Maximum current A	Maximum duty m³/h	Maximum pressure Pa	Sound level* dB(A)	Weight kg	Article number
HSB-2-355/53-110T	2900	1.1	2.5	1800	2100	79	57	113 365 355
HSB-2-400/67-220T	2900	2.2	4.6	4400	2700	84	67	113 365 400
HSB-2-450/75-400T	2900	4.0	7.8	5500	3400	86	75	113 365 450
HSB-2-500/85-750T	2900	7.5	14.0	8500	4200	88	125	113 365 500
HSB-2-560/95-1100T	2900	11.0	21.2	11000	5800	90	140	113 365 560
HSB-2-630/106-1850T	2900	18.5	32.0	8900	6800	95	297	113 365 630
HSB-2-710/85-2200T	2900	22.0	40.0	8500	9200	99	305	113 365 710

* - in the middle of the performance curve.



HSB fans are supplied as a standard in LG design.



Dimensions in mm

Type	A	B	C	D	E	F	H	P	Q	R	S	T	U	V	no	øx	a x b	a1 x b1	a2 x b2	no	øz	t	ød
355	225	256	230	298	123	300	400	257	230	413	38	150	110.5	99.5	6	12	243 x 133	278 x 168	313 x 203	6+4	10	112	200
400	273	304	265	364	135	361	500	276	240	436	31	190	140	50	6	12	328 x 158	368 x 198	408 x 238	6+4	10	125	250
450	284	322	300	375	142	437	500	316	280	517	27	235	175	60	6	15	308 x 170	348 x 210	388 x 250	6+4	10	125	315
500	341	377	335	453	151	532	610	396	360	600	25	200	306.5	43.5	6	15	408 x 189	448 x 229	488 x 269	8+4	10	125	315
560	323	380	360	428	164	510	560	386	350	605	25.5	280	203	77	6	15	323 x 211	363 x 251	403 x 291	6+4	10	125	355
630	429	474	425	569	174	629	780	505	460	750	25	250	354	96	6	18	513 x 234	573 x 294	633 x 354	10+4	10	125	400
710	417	490	445	580	182	682	805	536	491	862	36	400	245	155	6	18	538 x 210	592 x 270	652 x 330	10+4	12	125	500

