

Construction

Single inlet centrifugal fan with forward curved impellers manufactured in galvanized steel sheet. Casing in galvanized steel sheet.

Motor

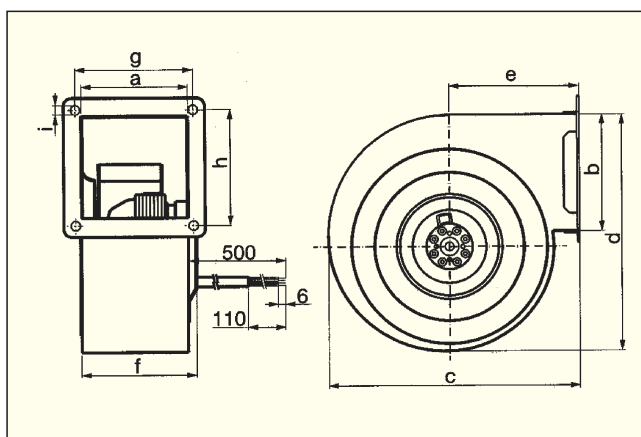
230V, 50Hz single-phase asynchronous external rotor motor with built-in automatic thermal protection overload switch. Enclosure IP44, insulation class B.

Wiring diagram, see page 180.

Dimensions in mm



Type	a	b	c	d	e	f	g	h	i
SEM-RF-2C-120/062	77	69	175	180	88	99	94	82	6
SEM-RF-2C-133/062	77	69	175	180	88	101	94	82	6
SEM-RF-2C-146/062	96	94	224	244	103	98	115	105	7
SEM-RF-2C-160/062	96	94	224	244	103	98	115	105	7
SEM-RF-4C-160/062	96	94	224	244	103	98	115	105	7
SEM-RF-4C-180/092	130	135	295	362	135	150	163	168	7



Technical specification

Type	Speed rpm	Capacitor μF	Motor power W	Maximum current A	Maximum duty m³/h	Sound level dB (A)*	Maximum temperature °C	Weight kg	Article number
SEM-RF-2C-120/062	2300	2	75	0,35	270	65	75	1,9	119 001 011
SEM-RF-2C-133/062	1650	2	100	0,47	300	62	40	1,9	119 001 015
SEM-RF-2C-146/062	1650	3	145	0,66	460	60	55	3,7	119 001 021
SEM-RF-2C-160/062	2100	6	260	1,18	600	71	40	4,0	119 001 025
SEM-RF-4C-160/062	1320	2	70	0,33	405	66	60	3,0	119 001 031
SEM-RF-4C-180/092	1275	6	160	0,75	950	67	40	6,5	119 001 035

* distance 1m

