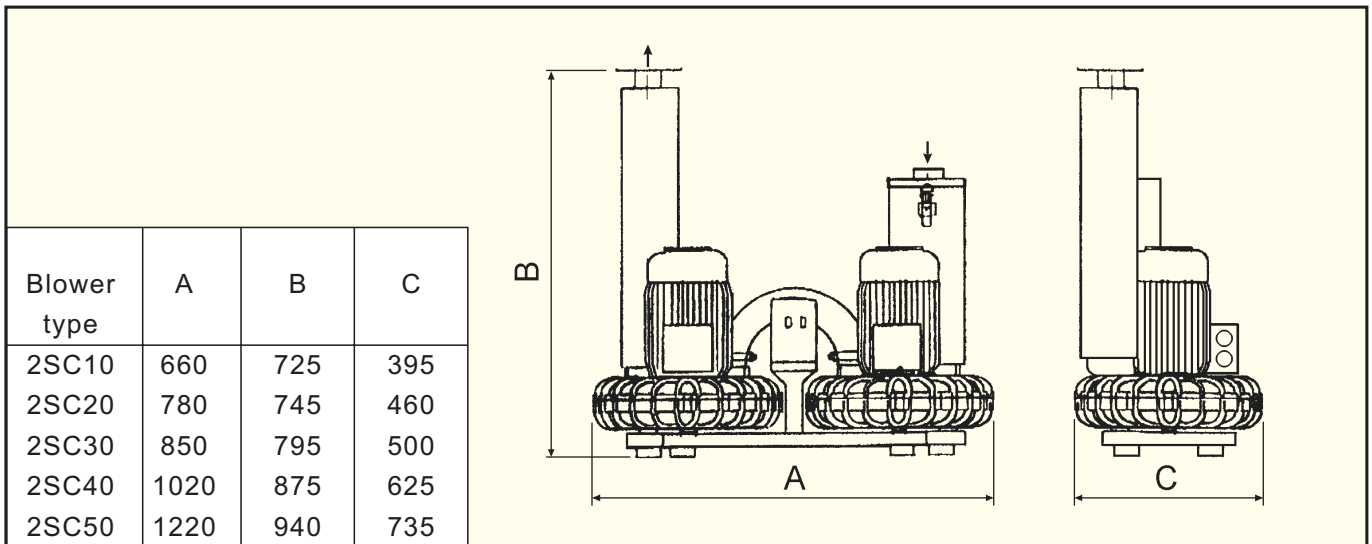


Construction

Combination of two in line side channel blowers complete with filter and silencer. All mounted on a common frame (see drawing).

Sizes 2SC10, 2SC20 and 2SC30 can be equipped with thermal protection and motor protection.



Technical specification

Type	Connection	Motor power	Voltage	Maximum current	Weight	Article number
	Ø mm	kW	V	A	kg	
2SC10C-130T	51 (2,0")	1,3	230/400	3,2 Y	50,0	113 750 136
2SC20C-260T	51 (2,0")	2,6	230/400	5,6 Y	60,0	113 750 424
2SC30C-520T	63 (2,5")	5,2	230/400	11,2 Y	85,0	113 750 287
2SC40C-950T	76 (3,0")	9,5	400/690	19,1 Δ	160,0	113 750 353
2SC40C-1300T	76 (3,0")	13,0	400/690	25,1 Δ	165,0	113 750 354
2SC50C-1850T	100 (4,0")	18,5	400/690	35,0 Δ	300,0	113 750 461
2SC50C-2600T	100 (4,0")	26,0	400/690	49,2 Δ	330,0	113 750 462

Other sizes can be supplied on request.

