

Construction

Direct driven two step side channel blowers designed for oil free conveying on non explosive and non aggressive medium. These blowers are suitable for either pressure or vacuum systems. All blower parts are of cast aluminium, highly resistant to corrosion. Silencer on the discharge- and intake side is standard. Blowers with customer adjusted capacity can be supplied on request.

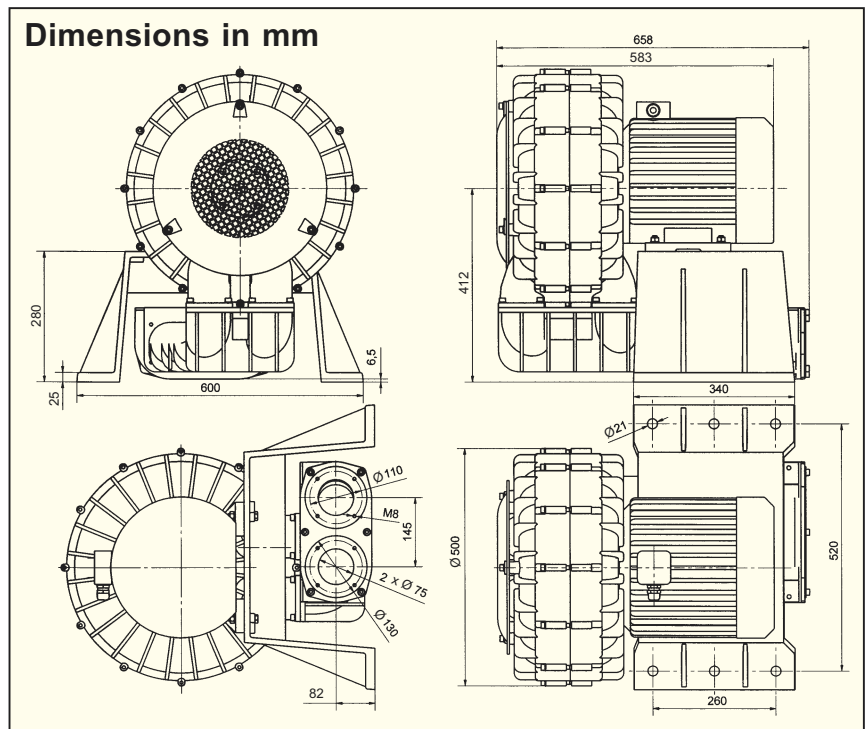
Motor

380-420/660-690V, 50Hz three-phase asynchronous motor. Insulation class F, enclosure IP55. Special voltage or frequency, improved enclosure IP65, 2-speed motors and explosion proof motors can be supplied on request.

Wiring diagram, see page 179.

The performance curves hold with a tolerance of $\pm 10\%$ for pressure and $\pm 10\%$ for air flow and at an inlet temperature of $+15^{\circ}\text{C}$, at an atmospheric pressure of 1013 mbar and at an ambient temperature of 25°C . We reserve the right for construction- and capacity changes without prior notice. We take no responsibility what so ever for any printing errors in the catalogue.

Unbroken curves hold at continuous running and with an ambient temperature of max. $+40^{\circ}\text{C}$.



Technical specification

Type	Motor power kW	Voltage V	Maximum current A	Maximum duty m ³ /h	Sound level dB (A)	Weight kg	Article number
Parallel running							
PSC40A750T	7,50	400 Δ	14,00 Δ	1270	84	126	113 700 390
PSC40A1100T	11,00	400 Δ	21,20 Δ	1270	86	128	113 700 400
PSC40A1500T	15,00	400 Δ	27,20 Δ	1270	88	155	113 700 410
Serial running							
DSC40A750T	7,50	400 Δ	14,00Δ	700	84	126	113 800 390
DSC40A1100T	11,00	400 Δ	21,20 Δ	700	86	128	113 800 400
DSC40A1500T	15,00	400 Δ	27,20 Δ	700	88	155	113 800 410

DCS30 - please ask for information

